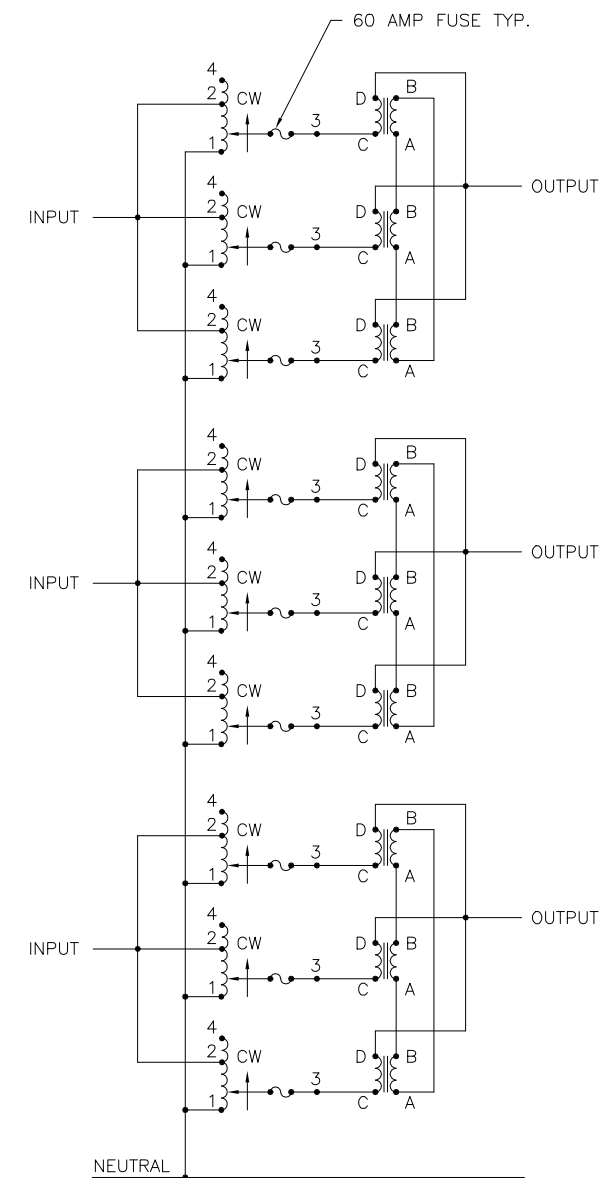


RECOMMENDED AREAS
 FOR CONDUIT ENTRY



SCHEMATIC

| SPECIFICATIONS | | | | | | | | |
|-----------------------|-------|-------|--------|-----------------------------|-------------|---|--|--------|
| WIRING | INPUT | | OUTPUT | | | SHAFT ROTATION FOR VOLTAGE INCREASE | TERMINAL CONNECTIONS FOR INCREASING VOLTAGE AS VIEWED FROM TOP | |
| | VOLTS | HERTZ | VOLTS | CONSTANT CURRENT LOAD | | | INPUT | OUTPUT |
| | | | | MAX. AMPS | MAX. KVA | | | |
| THREE PHASE WYE | 240 | 60 | 0-240 | 180 | 74.7 | CW | 4-4-4 | D-D-D |
| | | | 0-280 | 180 | 87.2 | | 2-2-2 | D-D-D |

| | | | | | | | |
|---|-------|-------------------|--------|------------------------------------|----|---|--|
| UNLESS OTHERWISE SPECIFIED, TOLERANCE IS # | | UNITS | | TITLE: SPEC. CONTROL DRAWING | | STACO ENERGY PRODUCTS CO. A COMPONENTS CORPORATION OF AMERICA COMPANY DAYTON, OHIO U.S.A. | |
| DECIMALS | Holes | ANGLES | DRAFT | IN | MM | | |
| .XX | .125 | 1° | 1-1/2° | ALL DIMENSIONS APPLY AFTER PLATING | | DRAWN BY: TIM RAU DATE: 8/18/00 | |
| MATERIAL: | | DO NOT SCALE DWG. | | FIRST USED ON | | CUSTOMER APPROVAL | |
| The information and design disclosed herein was originated by and is the property of STACO ENERGY PRODUCTS CO., which reserves all patent, proprietary, design, manufacturing, reproduction, use and sale rights thereto, and to any article disclosed therein except to the extent rights are expressly granted to others. The foregoing does not apply to vendor proprietary parts. | | CHECKER | | WEIGHT APPROX. | | DATE | |
| | | ENGINEER | | CODE IDENT. NO. 83008 | | DATE | |
| | | | | SCALE .125=1 | | SHEET 1 OF 1 | |
| | | | | DWG. NO. 032-6806 | | | |